

Serie 19.3

Sfera in plastica piatta, raccordino OT filettato 1/4W

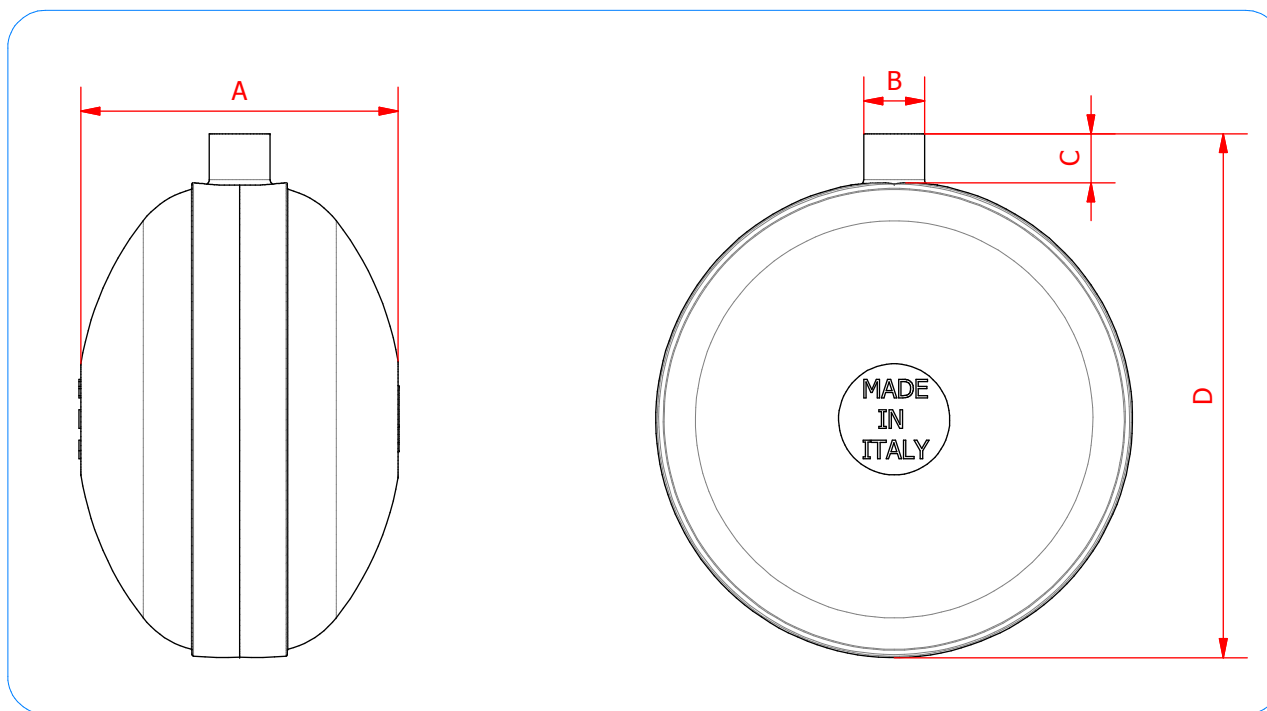
Flat ball with brass pawl threaded 1/4 w for round rod

Made in Italy



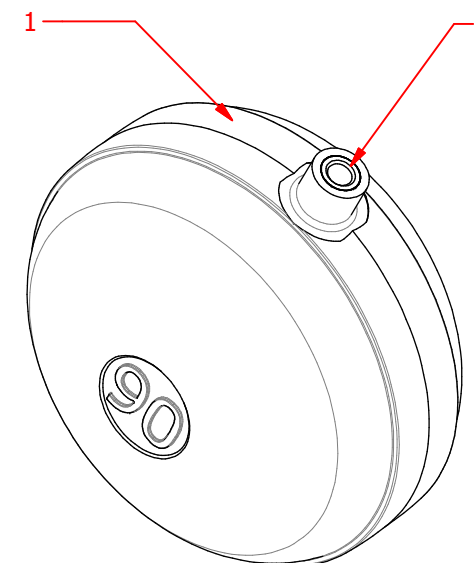
Temperatura massima dell'acqua consigliata *Maximum recommended working temperature*

| |
|----|
| C° |
| 60 |



Materiali - Materials

| | | |
|---|----------|---------------------|
| 1 | Plastica | HDPE-BL3 |
| 1 | Plastic | HDPE-BL3 |
| 2 | Ottone | CW614N UNI EN 12164 |
| 2 | Brass | CW614N UNI EN 12164 |



| Misure d'ingombro (mm) - Overall dimensions (mm) | | | | | | |
|--|---------------|------------------|----|------|---|----|
| Codice - Code | Taglia - Size | Filetto - Thread | A | B | C | D |
| 19.3 | Ø90 | 1/4 w | 60 | 11,5 | 9 | 99 |